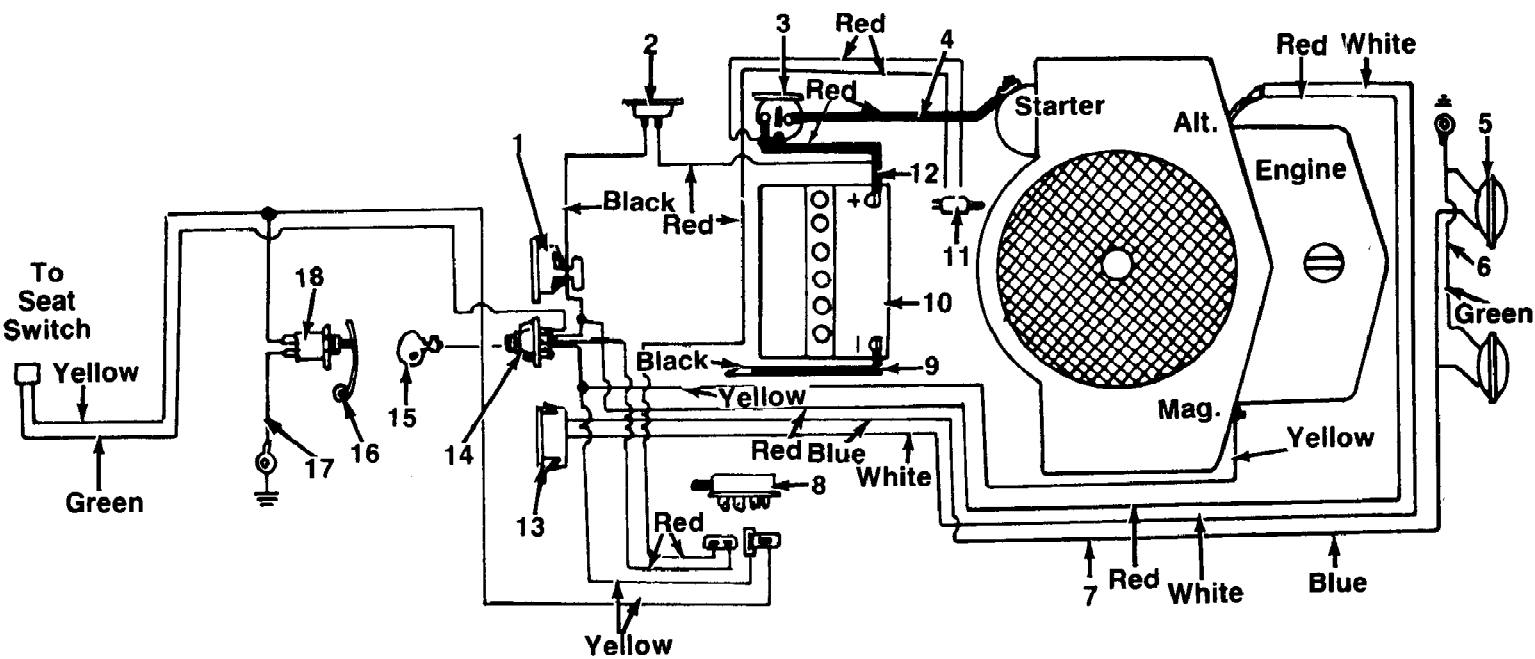


Ref #	Part Number	Qty	S/P/F	Description
1	757-0336	1		Seat Assembly
2	710-0286	1	/P	Truss Mach. Scr. 1/4-20 x .50" Lg.'
3	13808	1		Hood
4	712-0287	1	S	Hex Nut 1/4-20 Thd.
5	736-0329	1	S	L-Wash. 1/4" Scr.
6	710-0286	1	/P	Truss Mach. Scr. 1/4-20 x .50" Lg.
7	731-0511	1	/P	Vinyl Molding Strip-29"
10	723-0296	1		Hood Latch Ass'y.
11	725-0925	1	S	Ammeter
13	725-0459	1	S	Circuit Breaker 8 Amp.
14	710-0351	1	/P	Hex Tap Scr. #10 x .50" Lg.
15	727-0199	1		Hood Stop
16	710-0255	1	S	Truss Mach. Scr. 1/4-20 x .75" Lg.
17	749-0651	1		Grille Positioning Rod
18	722-0135	1		PVC Foam Strip 1/2 x 1.00" x 2.00" Lg.
19	15607	1	S	Seat Pivot Brkt.
20	710-0623	1	/P	Hex Wash. Hd. AB-Tap Scr. 3/8 x .75" Lg.
21	710-0599	1	/P	Hex Thd. Rolling Scr. 1/4" x .50" Lg.
22	712-0344	1		Speed Nut #10Z
23	14748	1		Grille Side Panel-R.H.
	14749	1		Grille Side Panel-L.H. (Not Shown)
24	736-0173	1	/P	Fl-Wash. 1/4" I.D.
25	725-0634	1	S	Light Switch
26	710-0166	1	S	Truss Hd. Scr. 1/4-20 x 1.00" Lg.
27	16427	1		Dash Panel Ass'y.
28	831-0823	1	S	Throttle Control Box Comp.
29	749-0651	1		Grille Positioning Rod
30	746-0503	1	S	Throttle Control Cable
31	710-0289	1	S	Hex Bolt 1/4-20 x .50" Lg.
32	09960	1		Head Lamp Retainer
33	725-0201	1	S	Ignition Key
34	725-0267	1	S	Ignition Switch
35	725-0222	1	S	Head Lamp
36	710-0255	1	S	Truss Machine Scr. 1/4-20 x .75" Lg.
37	735-0144	1		Rubber Wash. .50" I.D. x 1.00 O.D. x .25 Thk.
38	710-0286	1	/P	Truss Mach. Scr. 1/4-20 x .50" Lg.
39	725-0764	1		Reverse Lockout Wire Harness
40	15803	1		Seat Bracket-L.H.
41	725-0268	1	S	Safety Switch
42	732-0405	1		Switch Actuator Spring Lever
43	710-0118	1	S	Hex Scr. 5/16-18 x .75" Lg.
44	13800	1		Grille Ass'y.
45	738-0155	1	S	Shld. Bolt .437 Dia. x .162 Lg.
46	710-0286	1	/P	Truss Mach. Scr. 1/4-20 x .50" Lg.
47	736-0119	1	S	L-Wash. 5/16" I.D.
48	712-0267	1	S	Hex Nut 5/16-18 Thd.
49	13820	1		Lower Frame Ass'y.
50	710-0726	1	/P	Hex Thd. Rolling Scr. 5/16" x .75" Lg.
51	13862	1		Grille Mount Brkt.-R.H.
52	13863	1		Grille Mount Brkt.-L.H.
53	13828	1		Running Board-R.H.
	13827	1		Running Board-L.H. (Not Shown)
54	710-0323	1		Hex Scr. 5/16-18 x .75" Lg.

148-800-190 GT-1810 (1988)
Body Assembly

Page 3 of 19

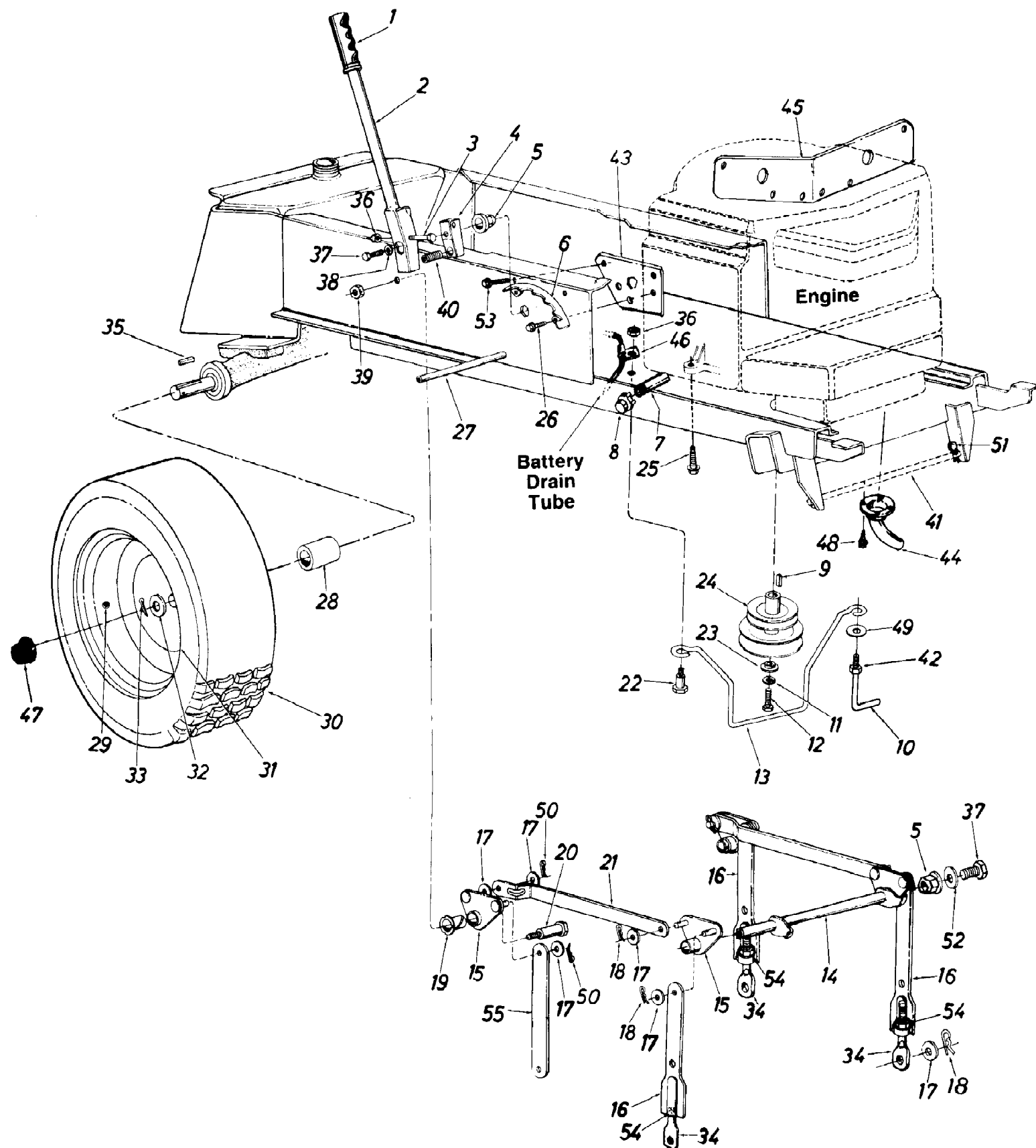
Ref #	Part Number	Qty	S/P/F	Description
	712-0158	1	S	Hex Cent. L-Nut 5/16-18 Thd.
	736-0242	1	/P	Bell-Wash. .34" I.D. x .88 -O.D.
57	731-0511	1	/P	Vinyl Moulding Strip-30"
58	15886	1		Fender Ass'y.
60	735-0149	1	S	Bushing (Gas Tank)
61	751-3054	1		90ø Nipple
62	726-0207	1		Hose Clamp 3/8"
63	751-0173	1	S	Gas Line 46" Lg.
64	738-0435	1		Running Board Rod
65	712-0147	1	/P	Speed Nut #10-24
66	17152	1		Transmission Cover Ass'y.
67	746-0613	1	S	Choke Control Comp.
68	15802	1		Seat Bracket-R.H.
69	710-0167	1	/P	Carr. Bolt 1/4-20 x .50" Lg.
70	731-0511	1	/P	Trim Strip-81" Lg.
71	710-0726	1	/P	Hex Thd. Rolling Scr. 5/16-24 x .75" Lg.
72	710-0351	1	/P	Truss Hd. Scr. #10 x .50" Lg.
73	738-0482	1		Hitch Rod
74	15849	1		Seat Mounting Channel
75	714-0147	1		Internal Cotter Pin
76	751-0367	1		Gas Tank
77	13813	1		Hitch Plate
78	15846	1	S	Fender Brkt.-R.H.
	15847	1		Fender Brkt.-L.H. (Not Shown)
79	731-0555	1	S	Grommet
80	710-0607	1	/P	Hex Wash. Hd. Self-Tap Scr. 5/16-18 x .50" Lg.
81	751-0370	1		Gas Gauge
82	732-0431	1		Seat Spring
83	736-0222	1	S	External Wash. 1/4" I.Dt
84	725-0765	1		Electric Wire
86	731-0465	1		Headlight Bezel
87	710-0148	1	/P	Hex Wash. Hd. F-Tap Scr. #8-32 x .38" Lg.
88	710-0817	1		Hex Self-Tap Scr. 5/16-18 x 1.25" Lg.
89	750-0706	1	S	Spacer
90	731-0881	1		Grille Screen
92	731-0755	1		Foot Pad
93	710-0779	1	S	Truss Mach. AB-Tap Scr. #10 x .50" Lg.
95	731-0405	1		Snap Bushing
	730-0116	1		Reflectors-Fender



148-800-190 GT-1810 (1988)
Electrical System

Page 5 of 19

Ref #	Part Number	Qty	S/P/F	Description
1	725-0925	1	S	Ammeter
2	725-0459	1	S	Circuit Breaker
3	725-0771	1	S	Solenoid
4	725-0561	1	S	Wire
5	725-0222	1	S	Headlight
6	725-0916	1	S	Ground Wire
7	725-1134	1	S	Wire Harness
8	725-0465	1	S	Safety Switch
9	725-0996	1	S	6 Ga. Black Wire
10	725-0453	1	S	Battery 12V
11	725-0268	1	S	Safety Switch
12	725-0563	1		Wire
13	725-0634	1	S	Light Switch
14	725-0267	1	S	Ignition Switch
15	725-0201	1	S	Ignition Key
16	732-0405	1		Spring Lever
17	725-0765	1		Electric Wire
18	725-0268	1	S	Safety Switch

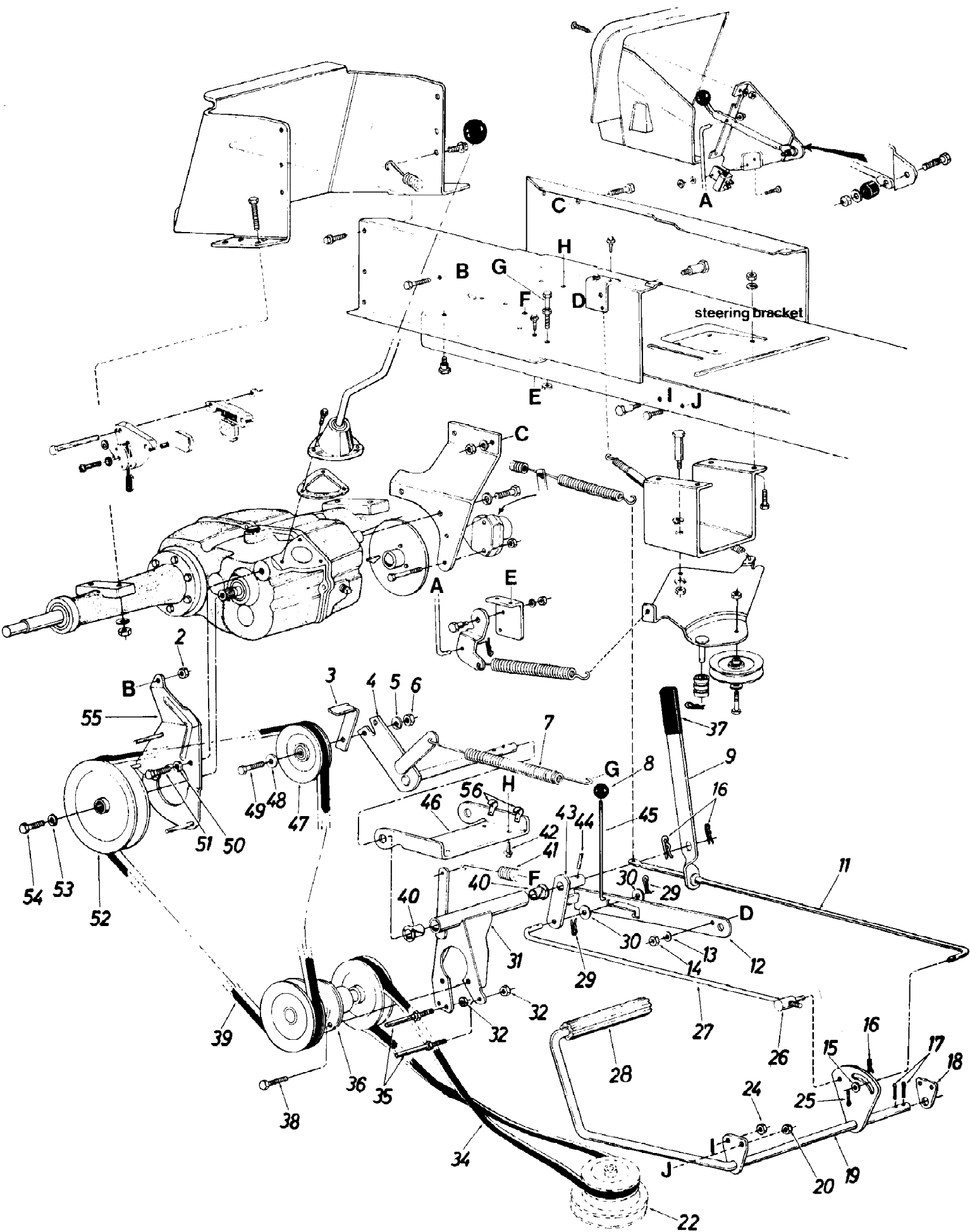


Ref #	Part Number	Qty	S/P/F	Description
1	720-0157	1	S	Grip
2	14233	1	S	Lift Handle Ass'y.
3	710-0442	1	S	Hex Bolt 5/16-18 x 1.5" Lg.
4	748-0274	1	S	Lift Shaft Drive
5	741-0225	1	S	Plastic Hex Brg. 5/8" I.D.
6	14231	1	S	Index Brkt. Deck Lift
7	737-0164	1	S	Pipe Nipple 3/8-18 Npt.
8	737-0143	1	S	Pipe Cap 3/8-18 Npt.
9	714-0118	1	/P	Sq. Key 1/4" x 1/4" x 1.50" Lg.
10	747-0216	1		Belt Guard Lock Pin
11	736-0171	1	S	L-Wash 7/16" I.D.
12	710-0757	1	/P	Hex Scr. 7/16-20 x 1.50" Lg.
13	747-0299	1		Belt Guard
14	13889	1		Lift Shaft Ass'y.
15	13895	1		Lift Pivot Brkt. Ass'y.
16	17303	1	S	Adj. Deck Lift Link
17	736-0192	1	S	Fl-Wash. 1/2" I.D. x 1.00" O.D. x .090
18	714-0101	1	S	Hairpin Cotter
19	741-0295	1	S	Nyliner 5/8" I.D. x .88" Lg.
20	738-0445	1	S	Shld. Bolt 5/8" Dia. x .96" Lg. 3/8-16
21	13790	1	S	Connecting Link
22	738-0296	1	S	Shld. Bolt .437 Dia. x .268 Lg. 5/16-18
23	736-0322	1	/P	Flat Wash. .44" I.D. x 1.25" O.D. x .17
24	756-0328	1		Two-Step Engine Pulley 4.75" & 5.56
25	710-0502	1	S	Hex Wash. Hd. Scr. 3/8-16 x 1.25" Lg.
26	710-0600	1	/P	Hex Thd. Rolling Scr. 5/16-24 x .50" Lg.
27	738-0435	1		Running Board Rod
28	750-0490	1		Spacer 1.0" I.D. x 1.25" O.D. x 2.12" Lg.
29	734-0255	1	S	Air Valve
30	734-1005	1		Rear Wheel Ass'y. Comp.
	734-0322	1		Tire Only
31	734-1015	1		Rear Wheel Rim Only
32	736-0345	1	S	Flat Washer
33	714-0142	1	/P	Cotter Pin 3/16" Dia. x 1.50" Lg.
34	711-0817	1	S	Eye Bolt Adj. Link 1/2-13 Thd.
35	714-0120	1		Sq. Key 1/4 x 3.0"
36	712-0158	1	S	Hex Cent. L-Nut 5/16-18 Thd.
37	710-0237	1	/P	Hex Scr. 5/16-24 x .62" Lg.'
38	736-0119	1	S	L-Wash. 5/16" I.D.
39	712-0181	1	S	Hex Top L-Nut 3/8-16 Thd.
40	732-0369	1	S	Compression Spring
41	738-0392	1		Deck Connecting Rod
42	712-0123	1	/P	Hex Nut 5/16-24 Thd.
43	14170	1	S	Index Brkt. Reinforcement Plate
44	751-0460	1		Exhaust Pipe
45	14282	1		Heat Shield
46	726-0175	1	/P	Mounting Clamp
47	731-0556	1		Hub Cap
48	710-0224	1	S	Hex Wash. Hd. AB-Tap Scr. #10 x .50" Lg.
49	736-0242	1	/P	Bell-Wash. .39" I.D.
50	714-0111	1	S	Cotter Pin .09 Dia. x 1.0" Lg.
51	714-0149	1	S	Int. Cotter Pin
52	736-0231	1		" I.D. x 1.12" O.D. x .125

148-800-190 GT-1810 (1988)
Frame Assembly

Page 8 of 19

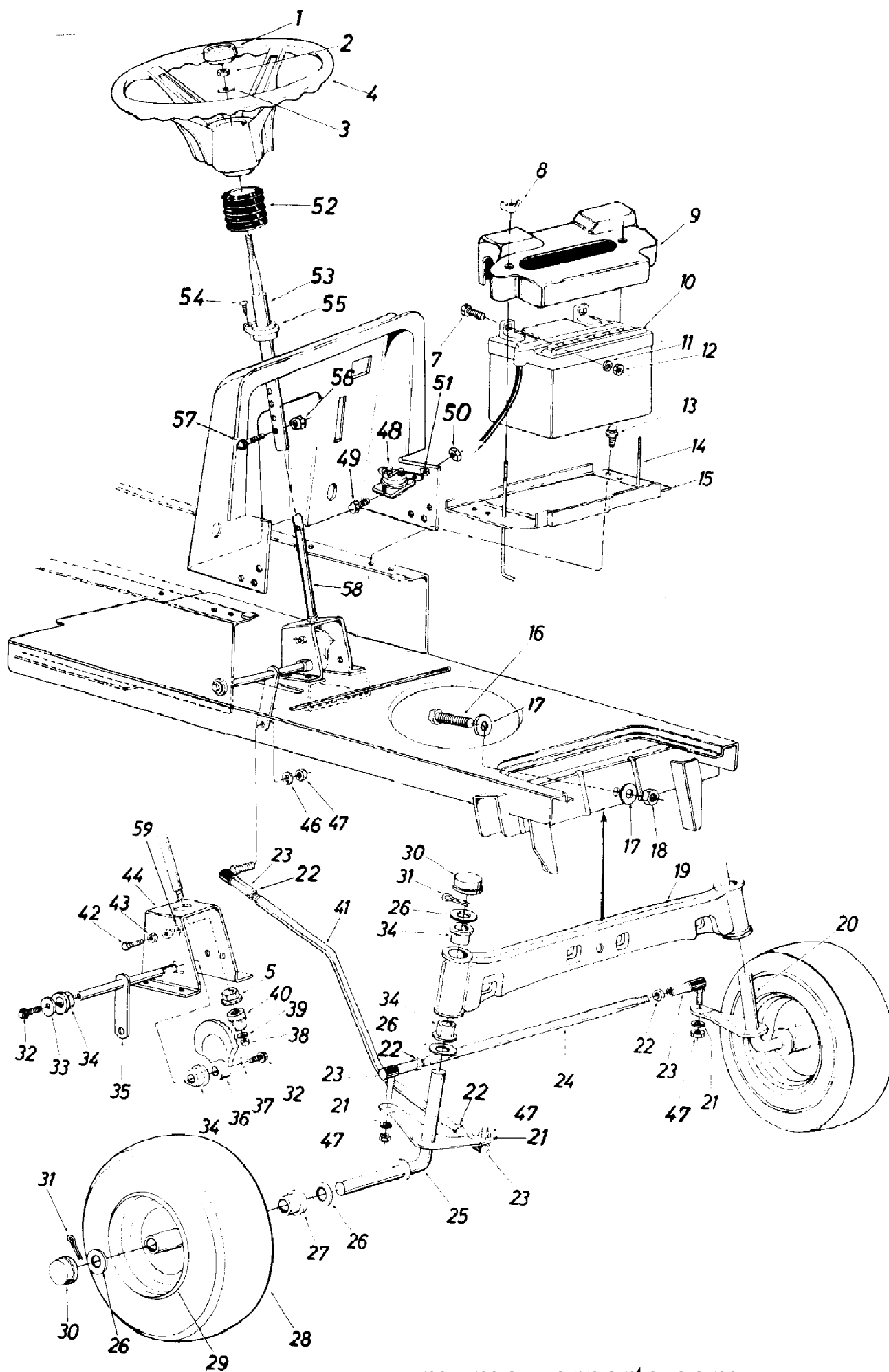
Ref #	Part Number	Qty	S/P/F	Description
53	710-0726	1	/P	Hex Wash. Hd. AB-Tap Scr. 5/16 x .62" Lg.
54	712-0206	1	S	Hex Nut 1/2-13 Thd.
55	14399	1	S	Deck Link



148-800-190 GT-1810 (1988)
Linkage Assembly

Page 10 of 19

Ref #	Part Number	Qty	S/P/F	Description
2	712-0375	1	/P	Hex L-Nut 3/8-16 Thd.
3	13819	1		Belt Guard (Clutch Idler)
4	13815	1		Clutch Brkt. Ass'y.
5	736-0169	1	S	L-Wash. 3/8" I.D.
6	712-0798	1	/P	Hex Nut 3/8-16 Thd.
7	732-0384	1	S	Ext. Spring (Drive Idler)
8	720-0166	1	/P	Knob (Parking Brake)
9	13872	1		Hand Brake Lever
	714-0145	1	S	Hairpin Cotter 3/8" Rod
11	747-0304	1		Brake Rod
12	13832	1		Parking Brake Cam
13	736-0119	1	S	L.Wash. 5/16" I.D.
14	712-0267	1	S	Hex Nut 5/16-18 Thd.
15	736-0275	1	S	FI-Wash. 5/16" I.D.
16	714-0145	1	S	Hairpin Cotter 3/8" Rod
17	714-0115	1	S	Cotter Pin 1/8" Dia. x 1.00" Lg.
18	13859	1		Clutch Rod Brg. Brkt.
19	13856	1		Clutch-Brake Pedal Ass'y.
20	712-0375	1	/P	Hex Cent. L-Nut 3/8-16 Thd.
22	756-0328	1		Engine Pulley 4.75 & 5.56
24	712-0375	1	/P	Hex Cent. L-Nut 3/8-16 Thd.
25	714-0507	1	S	Cotter Pin 3/32" Dia. x .75" Lg.
26	711-0198	1	S	Pivot Bushing
27	747-0306	1		Brake Cam Rod
28	735-0196	1	S	Foot Pad
29	714-0145	1	S	Hairpin Cotter 3/8" Rod
30	736-0101	1	S	FI-Wash. 3/8" I.D. x 1.00" O.D. x .030
31	13823	1		Jack Shaft Mtg. Brkt. Ass'y.
32	712-0181	1	S	Hex Top L-Nut 3/8-16 Thd.
34	754-0245	1	S	"V"-Belt
35	711-0696	1		Stud 3/8-16 x 3.62" Lg. Special
36	756-0324	1		Jack Shaft Ass'y.
37	720-0189	1		Flat Grip
38	710-0198	1	S	Hex Sem Scr. 5/16-18 x .75" Lg.
39	754-0244	1	S	"V"-Belt
40	741-0295	1	S	Nyliner 5/8" I.D. x .88" Lg.
41	732-0153	1	/P	Ext. Spring (Jack Shaft)
42	710-0599	1	/P	Hex Thd. Rolling Scr. 1/4-20 x.50" Lg.
43	13871	1		Clutch-Idler Horn Ass'y.
44	715-0108	1	/P	Spring Pin Spiral 1/4" Dia. x 1.00" Lg.
45	747-0300	1		Parking Brake Link
46	13822	1		Idler Mtg. Brkt.-Drive
47	756-0293	1	S	4" "V"-Idler Pulley
48	736-0300	1	S	FI-Wash. 3/8" I.D.
49	710-0347	1	/P	Hex Bolt 3/8-16 x 1.75" Lg.
50	736-0169	1	S	L-Wash. 3/8" I.D.
51	710-0216	1	/P	Hex Bolt 3/8-16 x .75" Lg.
52	756-0332	1		"V"-Pulley 7.0" O.D. (Transaxle)
53	736-0169	1	S	L-Wash. 3/8" I.D.
54	710-0180	1	/P	Hex Scr. 3/8-24 x .75" Lg.
55	13829	1		Belt Guard Ass'y.
56	726-0193	1		Plastic Hose Clamp



148-800-190 GT-1810 (1988)
Steering Assembly

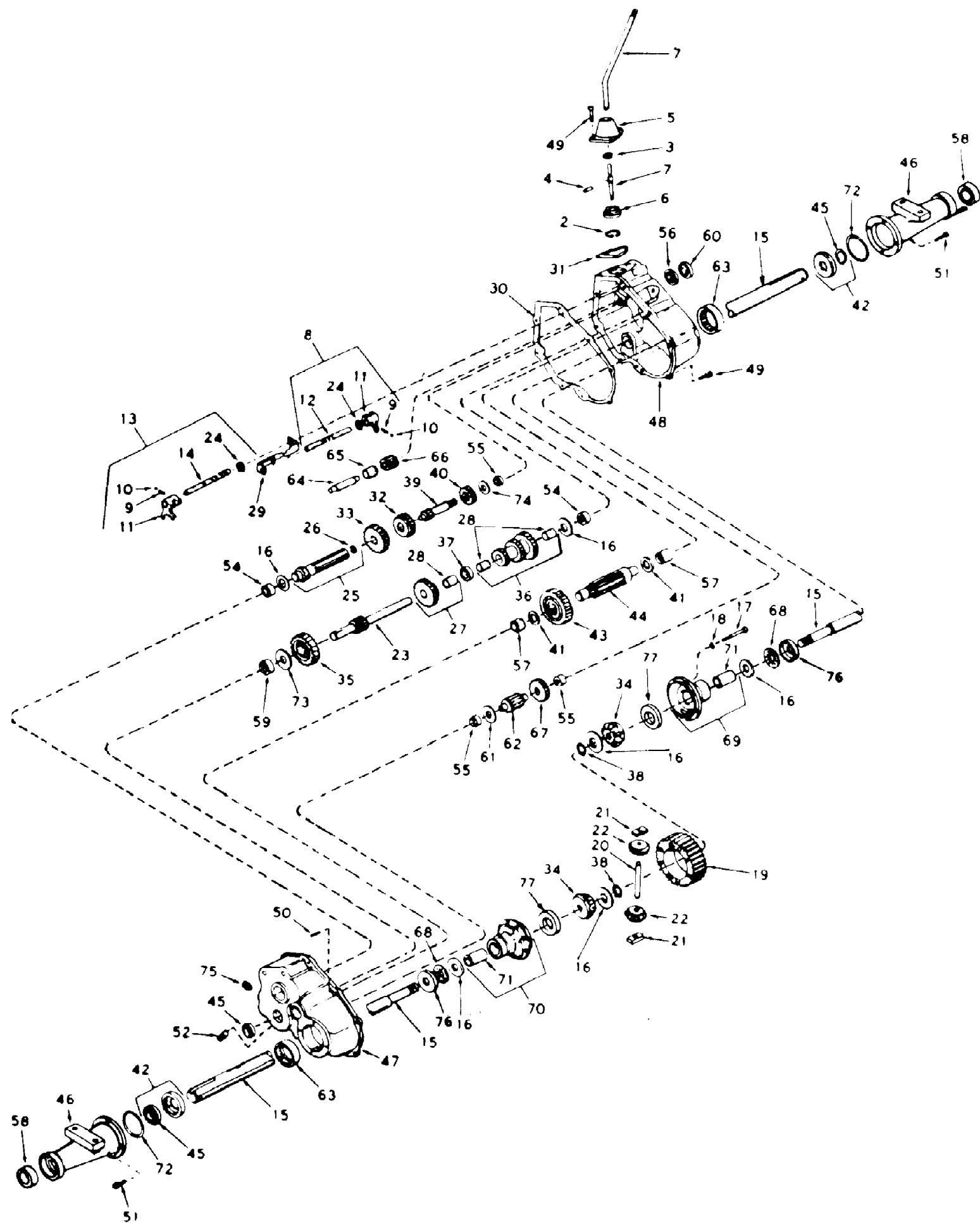
Page 12 of 19

Ref #	Part Number	Qty	S/P/F	Description
1	731-0220	1	S	Steering Wheel Cap
2	712-0237	1	S	Hex Cent. L-Nut 5/16-24 Thd.
3	736-0242	1	/P	Bell-Wash. 5/16" I.D. x .87" O.D. x .060
4	731-0806	1	S	Steering Wheel
5	741-0225	1	S	Plastic Hex Bearing 5/8" I.D.
	741-0356	1		Steering Column Bearing
7	710-0258	1	S	Hex Bolt 1/4-20 x .62" Lg.
8	712-0113	1	S	Wing Nut Plastic 1/4-20 Thd.
9	731-0707	1		Battery Cover
10	725-0453	1	S	12-V Battery
11	736-0329	1	S	L-Wash 1/4" I.D.
12	712-0287	1	S	Hex Nut 1/4-20 Thd.
13	710-0599	1	/P	Hex Thd. Rolling Scr. 1/4-20 x.50" Lg.
14	711-0222	1	S	Battery Hold Down Rod
15	13379	1		Battery Plate
16	710-0533	1		Hex Bolt 5/8-18 x 2.5" Lg.
17	736-0282	1		Flat Wash. .66" I.D. x 2.25" O.D. x .17
18	712-0923	1	/P	Hex Cent. L-Nut 5/8-18 Thd.
19	13865	1		Front Pivot Bar Ass'y.
20	13839	1		Front Axle Ass'y.-L.H.
21	736-0169	1	S	L-Wash. 3/8" I.D.
22	712-0711	1	/P	Hex Jam Nut 3/8-24 Thd.
23	723-0156	1	S	Ball Joint Ass'y.
24	747-0301	1		Tie Rod
25	13838	1		Front Axle Ass'y.-R . H .
26	736-0316	1	S	FI-Wash. .780 I.D. x 1.59 O.D.
27		1		Flange Bearing
	741-0382	1	S	Bearing 16 x 6.50 Turf Tread
28		1		Front Wheel Ass'y. Comp.
	734-1500	1	S	Wheel Assembly Comp. 16 x 6.50 Turf Tread
29		1		Front Wheel Rim Only
	734-1501	1	S	Rim Only 16 x 6.50 Turf Tread
30	731-0484	1	S	Dust Cover
31	714-0121	1	S	Cotter Pin 5/32" Dia. x 1.00" Lg.
32	710-0180	1	/P	Hex Bolt 3/8-24 x .75" Lg. Grade 5
33	736-0133	1	S	FI-Wash. 3/8 I.D. x 1.25 O.D. x .090
34	741-0199	1	S	Flange Double "D" Brg. .753 I.D.
35	12749	1		Steering Arm Shaft Ass'y.
36	748-0236	1		Side Gear-Steering
37	736-0105	1	/P	Bell-Wash. 3/8" I.D.
38	712-0237	1	S	Hex Cent. L-Nut 5/16-24 Thd.
39	736-0264	1	S	FI-Wash. 5/16" I.D. x .62 O.D. x .059
40	748-0237	1	S	Pinion Gear-Steering
41	747-0302	1		Drag Link
42	710-0342	1	S	Hex Bolt 3/8-16 x 1.25" Lg.
43	712-0798	1	/P	Hex Nut 3/8-16 Thd.
44	12850	1	/P	Steering Gear Sup. Ass'y.
46	736-0169	1	S	L-Wash. 3/8" I.D.
47	712-0241	1	/P	Hex Nut 3/8-24 Thd.
48	725-0771	1	S	Solenoid
49	710-0289	1	S	Hex Bolt 1/4-20 x .5" Lg.
50	712-0271	1	/P	Hex Sems Nut 1/4-20 Thd.
51	736-0222			736-0222 1/4" I.D.

148-800-190 GT-1810 (1988)
Steering Assembly

Page 13 of 19

Ref #	Part Number	Qty	S/P/F	Description
52	731-0559	1	S	Steering Bellow
53	16512	1		Upper Steering Shaft
54	710-0837	1		Oval Hd. Cr.-Sunk Scr. #10 x 5/8" Lg.
55	741-0356	1		FI-Bearing .89" I.D. x 1.36" O.D.
56	712-0324	1	/P	Hex L-Nut 1/4-20 Thd.
57	710-0958	1	/P	Hex Bolt 1/4-20 x 1.25" Lg. (Special)
58	738-0588	1		Lower Steering Shaft
59	731-0988	1		Nylon Cap



148-800-190 GT-1810 (1988)
Transaxle Peerless

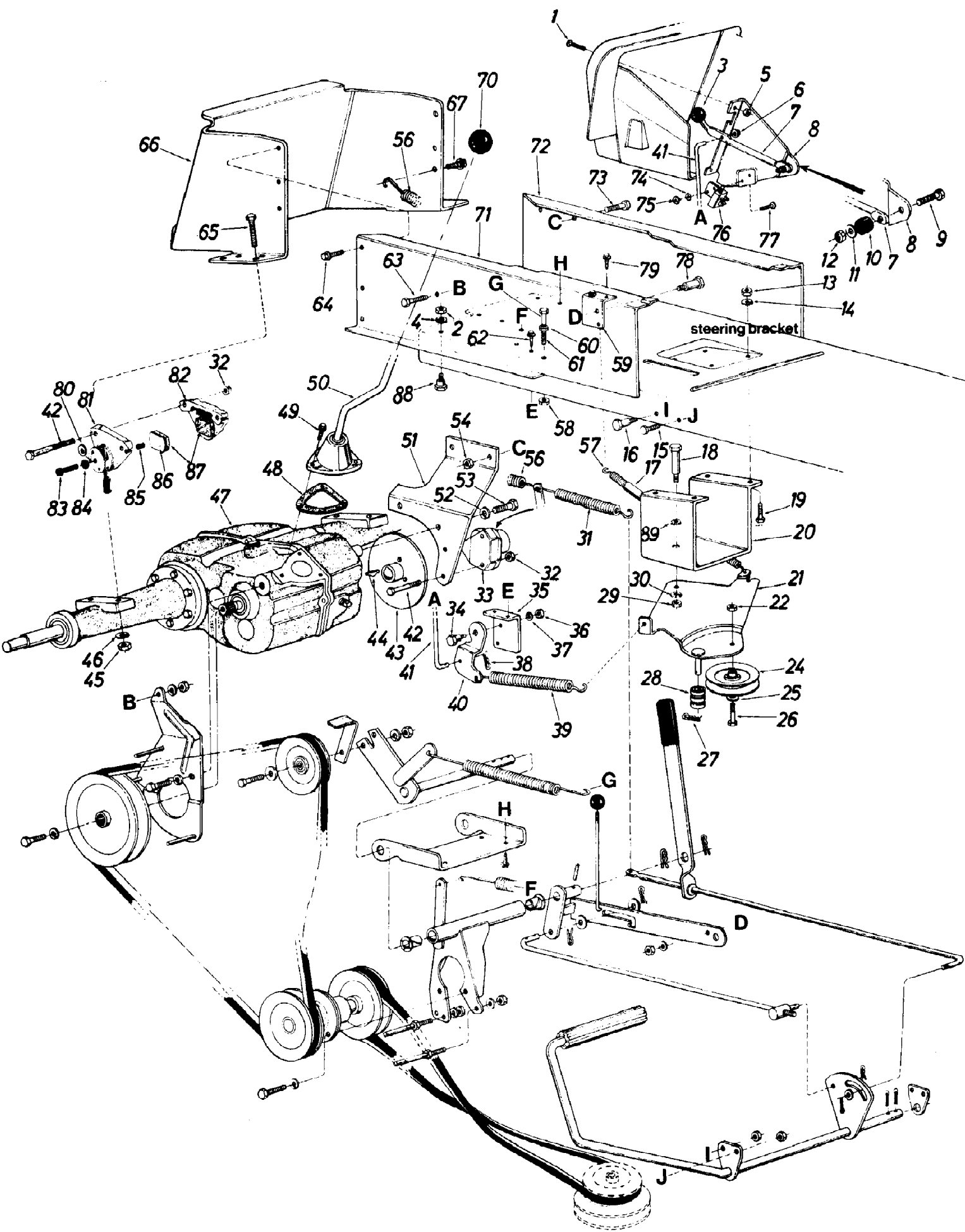
Page 15 of 19

Ref #	Part Number	Qty	S/P/F	Description
2	PE-792016	1		Ring, Snap
3	PE-792001	1		Ring, Quad
4	PE-792049	1		Pin, Roll
5	PE-784093	1		Housing, Shift Lever
6	PE-784094	1		Keeper, Shift Lever
7	PE-784308	1		Lever, Shift
8	PE-784054	1		Rod Ass'y., Shin (Incl. Nos. 9 thru 12 and 24)
9	PE-792003	1		Spring, Shift Fork
10	PE-792004	1		Ball Steel
11	PE-784004	1		Fork, Shifter
12	PE-784055	1		Rod, Shifter (3rd and 4th)
13	PE-784056	1		Rod Ass'y., Shift (Incl. Nos. 9, 10, 11, 14 and 24)
14	PE-784057	1		Rod, Shifter (Low)
15	PE-774433	1		Axle (18-11/32' Long)
16	PE-780042	1		Washer, Thrust
17	PE-792005	1		Scr., Hex Hd., 1/4-20 x 2 1/2
18	PE-792006	1		Lock Washer, Split 1/4 "
19	PE-778033A	1		Gear, Ring
20	PE-786019	1		Pin, Drive
21	PE-786027	1		Block, Drive
22	PE-778097	1		Pinion, Bevel
23	PE-776029A	1		Shaft and Gear, Brake
24	PE-792017	1		Ring, Snap
25	PE-776189A	1		Shaft and Bearing Ass'y., Pinion (Incl. No. 26)
26	PE-780018	1		Bearing, Needle
27	PE-778034	1		Gear Cluster Ass'y. (Incl. No. 28)
28	PE-780053	1		Bushing
29	PE-784074	1		Stop, Shifter
30	PE-788023	1		Gasket, Case and Cover
31	PE-788022	1		Gasket, Shifter Lever Housing
32	PE-778019A	1		Gear, Shifting (3rd and 4th)
33	PE-778020	1		Gear, Shifting (1st, 2nd and Rev)
34	PE-778231	1		Gear, Bevel
35	PE-778037	1		Gear, Idler
36	PE-778035A	1		Gear Cluster Ass'y. (Incl. No. 28)
37	PE-786024	1		Spacer
38	PE-792018	1		Ring, Snap
39	PE-776175	1		Shaft, Input
40	PE-778024A	1		Spur Gear, Input Shaft
41	PE-780052	1		Washer, Thrust
42	PE-788021	1		Seal and Retainer Ass'y., Oil (Incl. No. 45)
43	PE-778036	1		Gear, Output
44	PE-776028	1		Pinion, Output
45	PE-788008	1		Seal, Oil
46	PE-782025	1		Housing, Axle
47	PE-772016A	1		Cover Ass'y., Transaxle (Incl. Nos. 54,55, 57, 59 and 63)
48	PE-770012	1		Case Ass'y., Transaxle (Incl. Nos. 54,55,57 and 63)

148-800-190 GT-1810 (1988)
Transaxle Peerless

Page 16 of 19

Ref #	Part Number	Qty	S/P/F	Description
49	PE-792007	1		Screw, Flanged Hex Hd. 1/4-20 x 3 /4
50	PE-786026	1		Pin, Dowel
51	PE-792037	1		Screw, Hex Hd. Sems, 5/16-18 x 1
52	PE-792019	1		Plug, Magnetic Drain
54	PE-780049	1		Bearing, Needle
55	PE-780140	1		Bearing, Needle
56	PE-780024	1		Bearing, Ball
57	PE-780047	1		Bearing, Needle
58	PE-780050	1		Bearing, Ball
59	PE-780046	1		Bearing, Needle
60	PE-788025	1		Seal, Oil
61	PE-780001	1		Washer
62	PE-776031	1		ShaR and Pinion
63	PE-780048	1		Bearing, Needle
64	PE-776030	1		Shaft, Reverse Idler
65	PE-786025	1		Spacer, Reverse Idler
66	PE-778016	1		Idler, Reverse
67	PE-778038	1		Spur Gear (22 Teeth)
68	PE-780039	1		Bearing, Thrust
69	PE-774072A	1		Carrier Ass'y., Differential (Incl. No. 71)
70	PE-774071A	1		Carrier Ass'y, Differential (Incl. No. 71)
71	PE-780041	1		Bushing
72	PE-788024	1		Seal, Square Cut
73	PE-780007	1		Washer, Thrust
74	PE-780051	1		Washer, Thrust
75	PE-792010	1		Plug, Pipe
76	PE-780075	1		Race, Thrust
77	PE-780107	1		Washer



Ref #	Part Number	Qty	S/P/F	Description
1	710-0286	1	/P	Truss Mach. Scr. 1/4-20 x .50" Lg.
2	712-0287	1	S	Hex Nut 1/4-20 Thd.
3	720-0165	1	S	Knob-Blade Clutch
4	736-0329	1	S	L-Wash. 1/4 I.D.
5	712-0271	1	/P	Hex Sems Nut 1/4-20 Thd.
6	726-0106	1	S	Push Cap 1/4n Rod
7	747-0513	1		Blade Clutch Lever
8	13950	1		Deck Clutch Control Brkt.
9	710-0106	1	/P	Hex Scr. 1/4-20 x 1.25" Lg.
10	735-0126	1	S	Rubber Wash. .330 I.D. x .87
11	736-0173	1	/P	FI-Wash. 1/4" I.D. x .75" O.D. x .057
12	712-0107	1	S	Hex Cent. L-Nut 1/4-20 Thd.
13	712-0267	1	S	Hex Nut 5/16-18 Thd.
14	736-0119	1	S	L-Wash. 5/16" I.D.
15	710-0201	1		Hex Bolt 3/8-16 x .62" Lg.
16	738-0143	1	/P	Shld. Bolt 1/2" Dia. x .335 Lg. 3/8-16
17	731-0483	1	S	Convuluted Conduit .50 I.D. x 4" Lg.
18	738-0155	1	S	Shld. Bolt 7/16 Dia. x .16" 5/1 6-1 8
19	710-0376	1	/P	Hex Bolt 5/16-18 x 1.00" Lg.'
20	13826	1		Idler Mtg. Brkt.-Deck
21	13893	1		Idler Brkt. Ass'y.
22	712-0181	1	S	Hex L-Nut 3/8-16 Thd.
24	756-0293	1	S	4"-V" Idler Pulley
25	736-0300	1	S	FI-Wash. 3/8" I.D.
26	710-0342	1	S	Hex Bolt 3/8-16 x 1.25" Lg.
27	714-0104	1	S	Hairpin Cotter 5/16" Rod
28	748-0278	1	S	Spacer
29	712-0267	1	S	Hex Nut 5/16-18 Thd.
30	736-0119	1	S	L-Wash. 5/16" Scr.
31	732-0260	1	S	Ext. Spring-Brake Rod
32	712-0375	1	/P	Hex Cent. L-Nut 3/8-16 Thd.
33	761-0178	1		Disc Brake Caliper Ass'y.
34	738-0155	1	S	Shld. Scr. 7/16" Dia. x .16" Lg. 5/16-18
35	13833	1	S	Parking Brake Cam Mtg. Brkt.
36	712-0267	1	S	Hex Nut 5/16-18 Thd.
37	736-0119	1	S	L-Wash. 5/16" I.D.
38	714-0104	1	S	Hairpin Cotter 5/16" Dia.
39	732-0478	1	S	Ext. Spring-Deck Control
40	13887	1	S	Deck Control Pivot Brkt.
41	747-0307	1		Deck Control Rod
42	710-0937	1	S	Hex Bolt 3/8-16 x 2.50" Lg.
43	761-0142	1	/P	Hub & Disc Ass'y. (For Brake)
44	714-0137	1	/P	Hi-Pro Key 3/16 x 3/4" Lg.
45	712-0798	1	/P	Hex Nut 3/8-16 Thd.
46	736-0169	1	S	L-Wash. 3/8" I.D.
47		1		Transaxle (See Breakdown)
48		1		Part of Ref. No. 47
49		1		Part of Ref. No. 47
50		1		Part of Ref. No. 47
51	13012	1		Transaxle Support
52	736-0169	1	S	L-Wash. 3/8" Scr.
53	710-0216	1	/P	Hex Scr. 3/8-16 x .75" Lg.
54	712-0375	1		Hex Nut 3/8-16 Thd.

148-800-190 GT-1810 (1988)
Transmission Mounting Assembly

Page 19 of 19

Ref #	Part Number	Qty	S/P/F	Description
56	732-0157	1		Ext. Spring-Brake Return
57	732-0308	1	S	Ext. Spring-Deck Idler Return
58	712-0158	1	S	Hex L-Nut 5/16-18 Thd.
59	13833	1	S	Parking Brake Cam Mtg. Brkt.
60	712-0267	1	S	Hex Nut 5/16-18 Thd.
61	710-0442	1	S	Hex Bolt 5/16-18 x 1.5" Lg.
62	710-0599	1	/P	Hex Thd. Rolling Scr. 1/4-20 x.50" Lg.
63	710-0216	1	/P	Hex Bolt 3/8-16 x .75" Lg.
64	710-0726	1	/P	Hex AB-Tap Scr. 5/16 x .75" Lg.
65	710-0344	1	/P	Hex Scr. 3/8-16 x 1.50" Lg.
66	13813	1		Hitch Plate
67	710-0601	1	S	Hex Thd. Rolling Scr. 5/16-24 x .75" Lg.
70	720-0165	1	S	Knob-Transaxle
71	13848	1		Side Panel Upper Frame-R.H.
72	16445	1		Side Panel Upper Frame-L.H.
73	710-0216	1	/P	Hex Bolt 3/8-16 x .75" Lg.
74		1		UNKNOWN
75	712-0121	1	S	Hex Nut #10-24 Thd.
76	725-0465	1	S	Safety Switch (Deck)
77	710-0473	1	/P	Truss Mach. Scr. #10-24 x .50" Lg.
78	738-0155	1	S	Shld. Bolt 7/16" Dia. x .16" Lg. 5/16-18
79	710-0599	1	/P	Hex Thd. Rolling Scr. 1/4-20 x.50" Lg.
80	HU-20-9764	1		Washer
81	HU-B003770066	1		Housing with Lever & Pin
82	HU-16-13807	1		Anvil
83	HU-39-13775	1	S	Pin, Adjuster
84	HU-37-13818	1	S	Nut
85	HU-39-13774	1		Pin, Actuator
86	HU-25-13808	1	S	Backing Plate
87	HU-24-13772	1	S	Lining
88	738-0255	1	S	Shld. Bolt .375" Dia. x .180 Lg. 1/4-20 Thd.
89	736-0141	1	S	Wave Washer